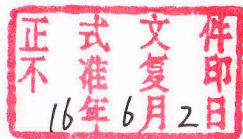
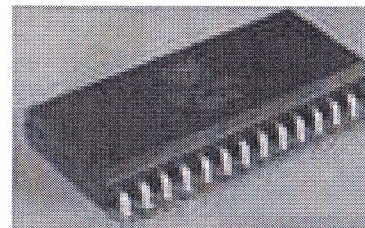
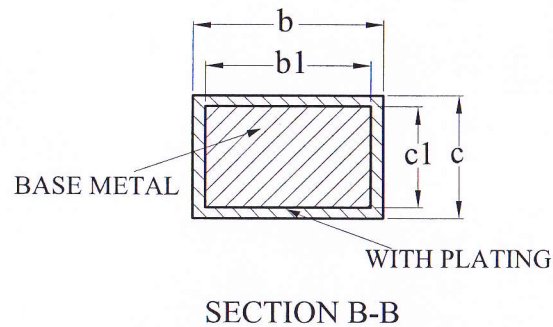
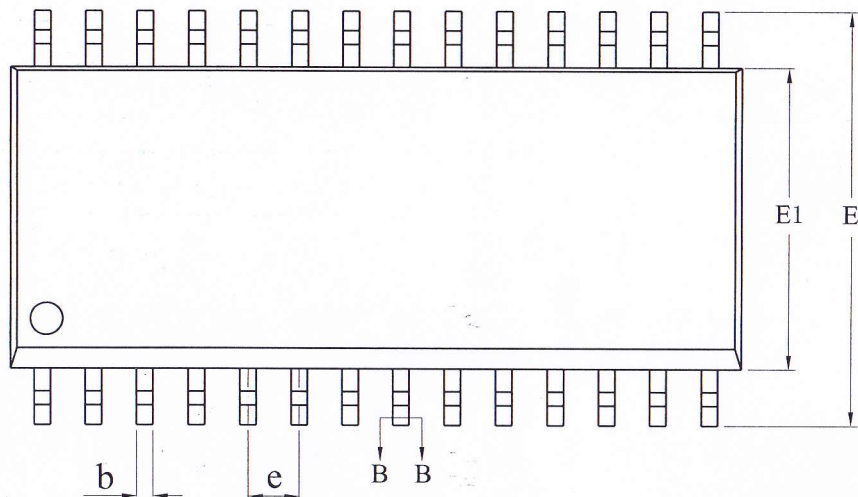


SYMBOL	MILLIMETER		
	MIN	NOM	MAX
A	—	—	2.00
A1	0.05	—	0.25
A2	1.65	1.75	1.85
A3	0.75	0.80	0.85
b	0.28	—	0.36
b1	0.27	0.30	0.33
c	0.15	—	0.19
c1	0.14	0.15	0.16
D	10.10	10.20	10.30
E	7.60	7.80	8.00
E1	5.20	5.30	5.40
e	0.65BSC		
L	0.75	—	1.05
L1	1.25REF		
theta	0°	—	8°



REV.	Description	Signature	Date
Drafted By	ZHAO ping	Verified By	LIU Hongbo
Confirmed By	CHEN Guolan	Verified By	HE Naihui
Verified By	HE Wenhai	Approved By	LU Dailie

		Title	
		SSOP28L POD	
DWG No.		REF No.	
HTFP0280209		JEDEC MO-150	
Unit	REV.		Effective Date
mm	A		2016/05/13